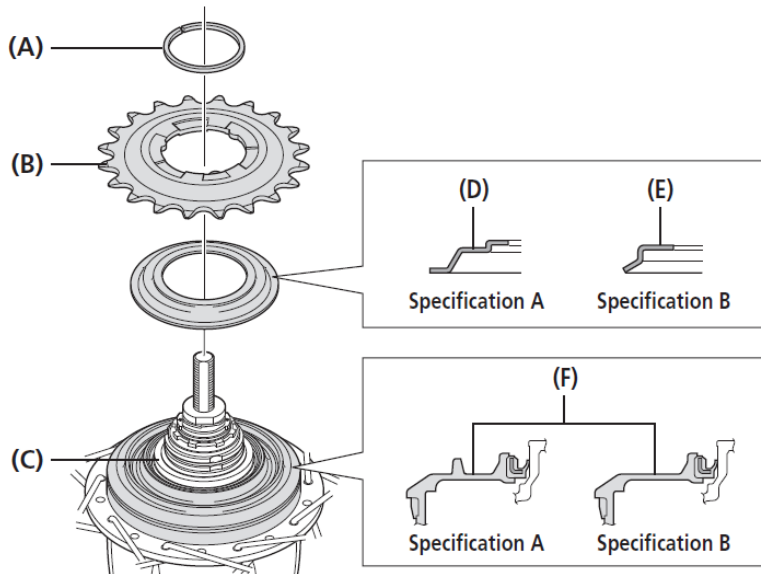


## Installation of the sprocket to the hub

Place the right-hand dust cap B/right-hand dust cap C onto the driver on the right side of the hub body.

Next, install the sprocket and secure it in place with the snap ring.

| Specifications | Applicable sprockets |                   |
|----------------|----------------------|-------------------|
|                | Outward assembling   | Inward assembling |
| A              | 16T-23T              | 20T-23T           |
| B              | 16T-23T              |                   |



- (A) Snap ring
- (B) Sprocket
- (C) Driver
- (D) Right-hand dust cap C
- (E) Right-hand dust cap B
- (F) Right-hand dust cap A

### NOTE

Note the orientation of the right-hand dust cap.

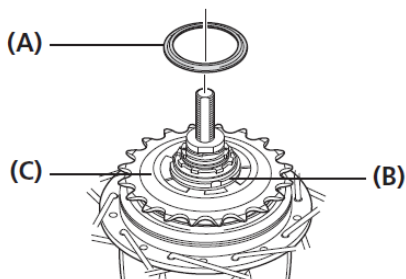
#### Specification A

If the sprocket is an inward assembling sprocket with 19T or fewer or for belt drive specifications, right-hand dust cap A will come into contact with the chain or pulley so specification B should be used instead.

#### Specification B

If the sprocket is an inward assembling sprocket with 16T and 3mm teeth or for belt drive specifications, remove right-hand dust cap B before use.

## Installation of the cassette joint to the hub

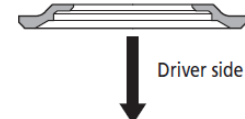


Install the driver cap to the driver on the right side of the hub body.

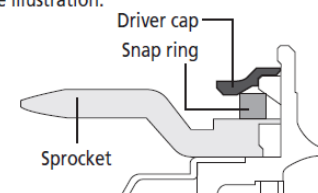
- (A) Driver cap
- (B) Driver
- (C) Sprocket

### NOTE

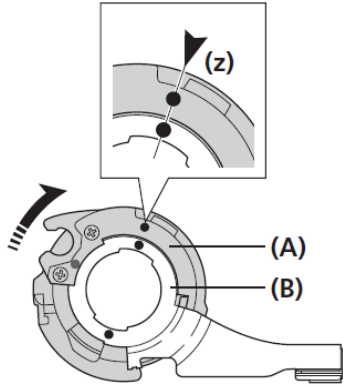
Note the orientation of the driver cap.



Install the driver cap in the position shown in the illustration.



2

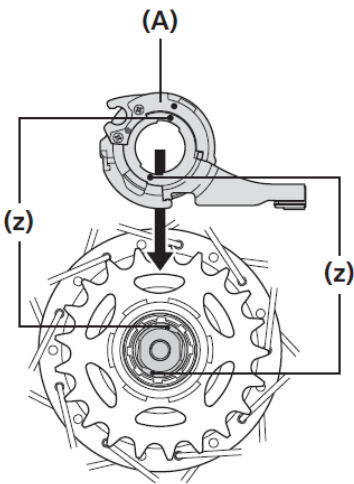


Turn the cassette joint pulley in the direction of the arrow to align the red ● marks on the pulley and the bracket.

(z) Should be aligned

- (A) Pulley
- (B) Bracket

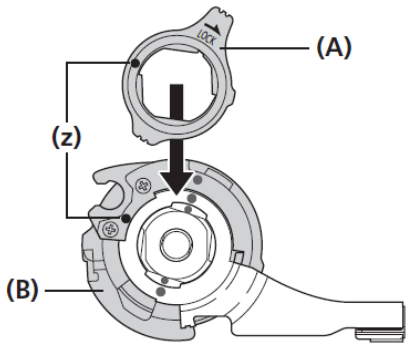
3



Install it with the red ● marks (z) on the cassette joint aligned with the red ● (SG-C6001/SG-C6011) or yellow ▲ (SG-C3001) marks (z) on the right side of the hub body.

- (A) Cassette joint

4

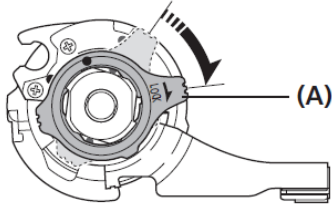


Secure the cassette joint to the hub with the cassette joint mounting ring.

When installing the cassette joint mounting ring, align the yellow ● mark (z) with the yellow ● mark (z) on the pulley of the cassette joint.

- (A) Cassette joint mounting ring
- (B) Pulley

5



Turn the cassette joint mounting ring 45° clockwise.

- (A) Cassette joint mounting ring

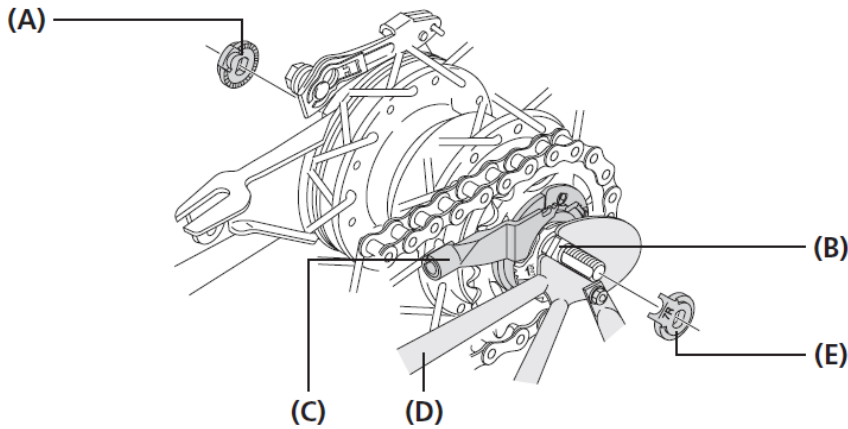
**NOTE**

Hold down the cassette joint bracket securely when performing work.

**INSTALLING ON FRAME**

Place non-turn washers and onto the right and left sides of the hub axle.

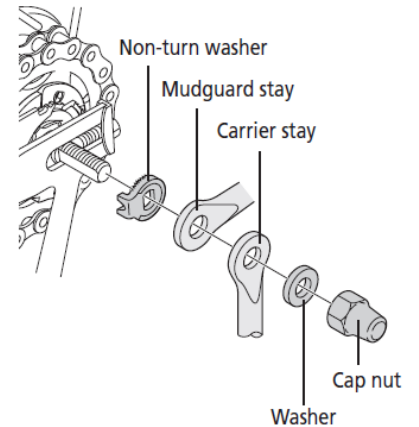
At this time, turn the cassette joint so that the protrusions of the non-turn washers fit into the grooves in the fork ends and align the joint to be almost parallel to the chainstay.



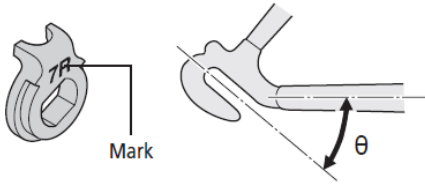
- (A) Non-turn washer (for left-side use)
- (B) Groove in fork end
- (C) Cassette joint
- (D) Chainstay
- (E) Non-turn washer (for right-side use)

**NOTE**

When installing parts such as a mudguard stay to the hub axle, install them in the order shown in the illustration below.



- The protrusion should be on the fork end side.
- Install the non-turn washer so that the protrusion fits securely in the fork end groove at the front and back sides of the hub axle.
- Use a non-turn washer that matches the shape of the fork end. Different non-turn washers are used for the left and right sides.



| Fork end                      | Non-turn washer |          |                                      |
|-------------------------------|-----------------|----------|--------------------------------------|
|                               | Mark/Color      |          | Size                                 |
|                               | For right       | For left |                                      |
| Standard                      | 5R/Yellow       | 5L/Brown | $\theta \leq 20^\circ$               |
|                               | 7R/Black        | 7L/Gray  | $20^\circ \leq \theta \leq 38^\circ$ |
| Reversed                      | 6R/Silver       | 6L/White | $\theta = 0^\circ$                   |
| Reversed<br>(Full chain case) | 5R/Yellow       | 5L/Brown | $\theta = 0^\circ$                   |
| Vertical                      | 8R/Blue         | 8L/Green | $\theta = 60^\circ - 90^\circ$       |

**Note:** Vertical type does not include the coaster specifications